

the apro bulletin

VOL. 25, NO. 7

February, 1977

OCCUPANT CASE IN TUCSON

First International UFO Congress to be held in Chicago June 24-26

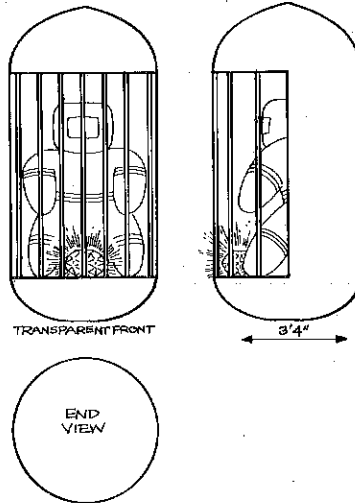
Exactly 30 years after Kenneth Arnold reported his now famous sighting of nine UFO's over the Cascade Mountains in Washington state, the first International UFO Congress will be held in Chicago at the Pick-Congress Hotel June 24-26.

In making the announcement, Curtis Fuller, publisher of Fate Magazine and sponsor of the Congress, pointed out that Arnold made his first sighting June 24, 1947 and gave the name Flying Saucers to these mysterious objects. Arnold will lecture and be an honored guest at the Congress.

Other internationally famous academic authorities, lay researchers and writers on the subject have accepted Fuller's invitation and will speak, conduct workshops and show films of their research—such authorities as Betty Hill, participant in the most famous UFO abduction case of the century; James Harder, professor at the University of California, Berkeley; David M. Jacobs, assistant professor, Temple University; Coral and James Lorenzen, longtime UFO researchers; Dr. J. Allen Hynek, director, Center for UFO Studies, professor of astronomy, Northwestern University; Raymond A. Palmer, co-founder of Fate and a key figure in early history of UFO's, publisher of Space World; Frank Salisbury, professor of plant physiology, Utah State University; R. Leo Sprinkle, director, division of counseling and testing, University of Wyoming; Berthold Eric Schwarz, M.D., psychiatrist and researcher into psychic aspects of UFO reports; Jacques Vallee, Institute for the Future, Menlo Park, CA.; and Dr. J. Gordon Melton, consultant to Fate, head of the Institute for the Study of American Religion, Evanston, who will act as coordinator for the scientific gathering.

In all, more than 100 lectures, seminars and information-sharing sessions will be held as well as continuous screening of films related to UFO's, plus an extensive exhibition area.

(See Congress - Page Eight)



Tucson Occupant

See Column Three

Soviets Publish UFO Articles

By Tom Day
Field Investigator

A recent issue of the *Current Digest of the Soviet Press* has abstracts of three articles of interest to APRO members. The first, from *Pravda*, is about the Bermuda Triangle. Claiming that no "mysterious forces" are needed to explain the disappearances of ships and planes, its author states that UFO reports "are usually myths dreamed up by capitalist newspapers to increase circulation."

The more interesting of the other two abstracts is apparently an official response to an underground manuscript purporting to be a status report on UFOs. The manuscript claims some aliens are indistinguishable from Caucasoid humans, an opinion strongly opposed by the author of the abstracted article. "All the Americans I know, . . ." he writes, "consider the extra-terrestrial explanation a stupid rumor."

To see the abstracts of these very interesting articles, simply ask for the January 5, 1977 issue of the *Current Digest of the Soviet Press* at any large library. The magazine is in English.

A new and spectacular kind of close encounter UFO case took place on Thursday, 10 February 1977 in Tucson, Arizona. It was about 19:30 in the evening and Ms. Lois Stovall, living at 2150 Poquita Vista, just south of Lillian Cavett Elementary School, was sitting in the middle of the couch on the south side of her living room, which faces the school, easily visible through the front window of her living room. She noticed a light, like a bright star, or flame, rising just to the left of the school, like an airplane appears to rise as it comes over the horizon. Her attention was captured by the strange beauty of the light which seemed to rise and come around the southwest corner of the school, passing over the corner of the building and behind the two trees which stand to the south of the structure. It then curved toward her house, approaching at a low level, below the tops of the two trees, and descended to within a few inches of the ground almost directly in front of her house and on the school side of the school fence. It hovered in that position momentarily, almost directly over a bare spot on the school lawn, and then began to move again. Lois told her grandmother, also sitting in the living room, and they both got up and went to the door for a better view. They both saw it begin to rise and move south towards the school fence and their house. It came over the fence and into their yard and slowed again almost over the small tree nearest the street, where it hovered for a couple of minutes. Lois and her grandmother went out into the yard, less than 50 feet from the hovering object and watched. It seemed to move slowly closer as they watched.

The object was almost capsule-shaped, cylindrical with blunt rounded ends on both top and bottom. The top was a little more rounded than the bottom. The object seemed to be facing them directly. The cylindrical side, between the top and bottom end curvatures was transparent, and they could see the bright light which first attracted their attention sitting on the bottom of this transparent section behind the transparent surface. The light was kind of like a beautiful flame, with leaping or flowing streamers of red and blue fire in the overall mass of bright but not brilliant white light. The transparent front section of the capsule had dark vertical bars running from top to bottom of

(See Tucson - Page Two)

THE A.P.R.O. BULLETIN
Copyright © 1977 by the
AERIAL PHENOMENA
RESEARCH ORGANIZATION, INC.

3910 E. Kleindale Road
Tucson, Arizona 85712
Phone: 602 — 793-1825 and 602 — 326-0059
Coral E. Lorenzen, Editor
Norman Duke, Richard Beal,
Brian James, Lance P. Johnson,
Robert Gonzales, Artists

A.P.R.O. STAFF

International Director L. J. Lorenzen
Director of Research James A. Harder, Ph.D.
Public Relations Hal Starr
Secretary-Treasurer Coral E. Lorenzen
Membership Secretary Madeleine H. Cooper
Staff Librarian Allen Benz
Office Manager Shella Kudrle

The A.P.R.O. Bulletin is the official copyrighted publication of the Aerial Phenomena Research Organization, Inc., (A.P.R.O.), 3910 E. Kleindale Rd., Tucson, Arizona 85712, and is issued every month to members and subscribers. The Aerial Phenomena Research Organization, Inc., a non-profit corporation established under the laws of the State of Arizona and a federally recognized scientific and educational tax-exempt organization, is dedicated to the eventual solution of the phenomenon of unidentified flying objects. Inquiries pertaining to membership and subscription may be made to the above address.

A.P.R.O. Membership including Bulletin:
United States \$10.00/yr.
Canada & Mexico \$11.00/yr.
(Canadian Currency will be accepted)
All other countries \$12.00/yr.
Subscription to Bulletin only: Same as Above

News wires, newspapers, radio and television stations may quote up to 250 words from this publication, provided that the Aerial Phenomena Research Organization, Inc. (or A.P.R.O.), Tucson, Arizona, is given as the source. Written permission of the Editor must be obtained for quotes in excess of 250 words.

Tucson

(Continued from Page One)

the space enclosing the fire. Behind the bars crouched a human-shaped figure, all over gray in color, that looked puffed up, like a balloon, except it had ridges or rings of the same substance running around the appendages, like padding, or like some space suits have. No facial features were observed and no hands or feet were noticed at the ends of the appendages. The figure was standing in the small, close fitting cabin in a crouched position with his hands (or where the hands should have been) slightly forward and just above the knees, as though he were holding some kind of controls in each hand. No controls were seen however.

Mrs. Alice Buckner, the grandmother of Lois and owner of the house, went directly up under the craft and was able to reach up with her right hand to within two feet of the bottom of the small craft. She wanted to touch it to see what it was, but it was just out of reach. As she did so it began to rise and it went up vertically a little ways and then changed course and continued ascending at an angle up and toward the

south. Lois said she heard a "click" just before it started to move up, but Alice, who was directly under the front of the craft said she did not hear any "click". As she reached up, Alice said, "There's a man in there!" She could see the small puffy figure crouched behind the "flame", and she could see that it was a suit, seemingly inflated, like a balloon, and there was a window in the front of the head part, and she thought she could barely make out a face behind that but was unable to distinguish any particular detail of that face. Then it began to rise and all she could see was the bottom, which was completely smooth. She did not see any features of the cabin such as seat, controls, lights, dials, etc. She does think that the bars were in front of the glass cabin "windshield", however. She saw that the strange light was on the floor in front of and between the little figure's feet. The little figure was about the size of a 6-year-old boy, and almost completely filled the cabin space. She thought the figure was standing in a crouch more than sitting down. She never saw it move in any way. Nothing in the cabin changed before it began to ascend.

As it ascended it passed over the corner of Mrs. Turner's carport and the roof of her house and continued its ascent smoothly until it passed above the top wires of the telephone lines that run down the alley behind the Buckner and Turner homes. It continued its climb to the south until it just looked like a star in the night sky. Lois stayed out in the yard and followed it around to the back of the house watching it pass over the telephone wires and away to the south. She says she could follow it easily because it had a golden color to its light while the rest of the stars looked a silvery-white color. She could look away and back again and pick it out immediately because of this strange color.

One of the more puzzling aspects of this case is repeated references to helicopters over the schoolyard at the time of this sighting. This in itself is not strange except that there were at first 3 helicopters with glowing red cabin lights flying at very low altitude over the schoolgrounds while the small capsule was being observed. One of them passed almost directly over the small capsule at less than treetop level and flew on to the west, as though it didn't see the capsule at all, something that seemed impossible to the various observers. The others criss-crossed the school grounds while the small ship was hovering. Then when it was climbing away to the south, as Lois followed it around the house, she saw 5 or 6 helicopters in that direction. The Police Department advises that they have only 3 helicopters in all, and one of those is a trainer and is not used at night. The other two are seldom

operational at the same time. They have never flown all 3 together at night, and they had no mission or calls of any kind from that area on that night. Davis Monthan AFB has 5 helicopters but they say it would take an exercise operational order to put that many in the air at the same time on any day, and that they would have to be "stood down" (grounded) and prepared to get that many ready to fly at the same time. The area Air Traffic Control Center has no record of any Army helicopter flights through Tucson airspace on the evening of that date. The Air Force and the Police had no joint helicopter exercises at any time during the month of February.

Mrs. Dessie Turner, who is Mrs. Buckner's neighbor to the east at 2202 East Poquita Vista was standing in her bathroom brushing her teeth at 19:30, when she saw what she thought was a car turning around in the street in front of the house. She thought it was taking a little too long to turn around and went to the front door to look out the security peephole. She saw a strange light too high above the ground to be automobile lights and went to the front window and pulled the curtain back for a better view.

Then she saw the source of the light to be a brilliantly luminous oblong object on the floor behind the glass front of a large capsule-shaped craft hovering at treetop level over her driveway and in front of her neighbor's house. She estimated the capsule-shaped craft to be about 6'6" high and about 2'6" in diameter. The front half of the cylinder-shaped body seemed to be transparent, and she thought she could see a shadowy figure behind the "glass". The "glass" front was turned slightly away from her at an angle facing her neighbor's, Mrs. Buckner house. She saw Mrs. Buckner and her daughter Lois out in the yard looking at the strange craft low over the trees between the two houses. Mrs. Turner watched the light for a moment and then saw it ascend out of sight over her carport and the roof of her house as it moved south and away. She went back in at that point and did not see it disappear. She went to the telephone and called a TV station and reported what had happened and expected them to come out to check but nobody showed up. She also called another neighbor to tell her to look out to the south to see it, but it was too far away for the neighbor to pick it out in the stars by the time she got outside. Mrs. Turner also saw helicopters maneuvering in the schoolyard and thought they were looking for the strange object.

The location of the sighting places the object 3½ miles west-northwest of Davis-monthan Control Tower and 4¼

(See Tucson - Page Seven)

COLUSA (CALIFORNIA) CLOSE ENCOUNTER, 10 SEPTEMBER 1976

INVESTIGATIVE REPORT

Prepared by Brad Sparks

Investigators:

Mr. Thomas R. Bowden (APRO)
Dr. James A. Harder (APRO)
Mr. Dale N. Rettig (APRO-MUFON)
Mr. Brad C. Sparks (APRO)
Mr. Mark A. Uriarte (MUFON)*

Abstract

A single-witness close encounter with a UFO took place three miles southwest of Colusa, California, early on Friday, 10 September, 1976. Colusa is a small (population nearly 4,000) farming community on the west bank of the Sacramento River, some 45 miles northwest of the state capital, Sacramento, in the northern section of the state. There were six or seven witnesses (in two or three independent groups) to the far encounter phase of this series of events, so far as is known.

Pre-Sighting Circumstances

On the evening of 9 September 1976, Mr. Billy Vinson Pecha, Jr., age 39, went into town to do some shopping. It was his wife's 34th birthday that day so he bought here a present. When he returned home, he left his keys in the ignition of his 1975 Chevrolet pick-up truck and camper. Pecha went to work in his shop, about one hundred feet east of his home. Pecha is a self-employed heavy equipment mechanic who repairs farm machinery. He does most of his work in the shop.

Around 11:30 p.m., Pecha went into the house, where his wife, Lenda, and two children were asleep. He showered quietly and dressed down to his shorts. He did all of this in the dark so the house lights would not wake his family. Pecha settled down to the sofa (on his back), feet towards the television set and his eyes about 15 to 18 feet away. He watched a TV Channel 12 movie, "Waterhole No. 3". About an hour later, the two-foot color picture tube crackled, then faded (browned out), then completely blacked out. His air-conditioner likewise died at the same time. The official time of the black-out on the Pacific Gas and Electric company (PG&E) system was 0054 Pacific Daylight Savings Time on 10 September 1976.

*(*Expelled from MUFON after his participation in this investigation.)*

Pecha thought his transformer in his shop had tripped the circuit breakers because of his heavy welding work earlier that night. Electrical power comes into his mobile home (now stationary), at 1650 Wilson Avenue, via an underground cable from his shop. Pecha went outside to flip the circuit breakers on again. His front door faces azimuth 91 degrees (east). Pecha moved to the right (south), away from his neighbors, the W.K. Baileys, as he went out the door, so he wouldn't be seen wearing only shorts. He knew his mother-in-law (Mrs. Leonard G. Morrow), who lived next door to the right (south), was gone at that time. He did not know until later that the Baileys were gone, too.

Close Encounter Phase

Pecha stuck close to the house to avoid getting wet from the lawn sprinkler. All of his body hair stood on end when Pecha came within a few feet of the underground cable. At this point, he was about twenty-five feet from the southeast corner of the nearly rectangular house, near his own bedroom window. Pecha then thought the power cable was shorting out and that he was feeling it because of the wet grass.

As Pecha continued walking southward in the darkness, he noticed that the static electricity-like effect was increasing in intensity, even though he had passed the underground cable and was then moving away from it. "But the further I got past the-I knew or know just about where the line is--it was gettin' worse," Pecha told us on our first visit on 3 October 1976. "I mean it wasn't bad or nothin', it was just gettin' heavier."

Near the southeast corner, Pecha noticed a diffuse grayish-white illumination, he told me (off tape). It was coming from the southwest, where the barn was located. He looked up, expecting to see the moon. Instead, he saw a large object hovering above the space between his house and the barn.

"It wasn't makin' a sound, and I couldn't believe what I was seein', you know. And as I walked a little bit--I took another few steps and then I was horrified. I realized what I was lookin' at."

Pecha, who is about 68 inches tall and about 170 pounds in weight, has normal vision. He was able to point out distant features (such as the Three Sisters

peaks) without difficulty. I showed him several materials with which he was unfamiliar. Pecha correctly identified the colors of each one. He told me that while his right ear was normal, he had 50% hearing impairment in his left ear. He has good mechanical working and drawing abilities. Pecha was unable to estimate time durations of the events of his sighting to within better than an order of magnitude.

Pecha was standing about four feet northeast of the southeast corner of the house when he looked up and saw the UFO. The circular UFO was just above the thirty-foot TV antenna, which is attached to a telephone pole situated sixteen feet south by twenty feet west of the southeast corner. Part of the rim seemed to have been directly over the forty-foot-high gable roof of the barn (which protruded eastward), about 80 feet away (ground distance). Pecha estimated the object was about 50 feet off the ground. He was close enough for his stereoscopic vision to determine a reliable distance, it seems to us. Pecha said he did not see the (97% illuminated) full moon, which was at azimuth 210 degrees (south-southwest), altitude 50 degrees, though he knew it should have been there. Apparently, the UFO was in front of the moon.

Pecha described the object's underside as having a glazed-ceramic texture, a round shape in the center that had a translucent "shaft" of grayish-white "light" coming out of it, six wavy (but motionless) cables with frayed ends hanging vertically, and two pincher-like appendages at opposite (north and south) edges of the UFO's perimeter. The bottom looked like white porcelain, but Pecha said it may have been metal with the light causing it to look porcelain-like. Pecha drew the "shaft" of "light" as a truncated right circular cone making an angle of about 55 degrees at the base. It was projecting from a circular region about 10 feet in diameter, expanding outward to a level about 5 to 6 feet below the bottom of the UFO. Pecha told us that the "shaft" ended sharply in midair and did not reach the ground. This "light" did not generate enough diffuse lighting to cast shadows, Pecha remembered. (Neither the television he watched or the UFO left after-images on his retinas, so far as Pecha could recall for us on our follow-up visit.) Pecha said the "shaft" seemed to rotate counter-

(See Colusa - Page four)

Colusa

(Continued from page three)

clockwise, but he thought that might have been an effect of the lighting. He further noted that the outer rim (above the spots where the pincher-like things were attached) was rotating clockwise.

The wavy cable-like appendages were hanging in a line that would cross the center of the UFO's underside and were oriented approximately south-north. There were six "cables", each of about equal length (6 to 8 feet) and two to three inches thick, Pecha said. There were three "cables" on either side of the center "light", but Pecha was not certain of their exact spacing, other than appearing regularly spaced. The pincher-like appendages were about the same length as the "cables", and they were approximately aligned with the "cables" (south-north). The pincher-like things protruded downwards and curved inwards.

The base of the UFO appeared elliptical to Pecha, but was consistent with a truly circular base seen at an angle, so far as Pecha could tell. Pecha drew an ellipse with a major/minor axes ratio of 1.8 to represent his view of the object as it (later) started to move away (probably from a ground distance of about forty-five feet from the edge of the UFO.) The base of the UFO was approximately parallel to the ground, to within ten degrees, I would estimate (from my on-site interview with Pecha). The UFO maintained this same horizontal orientation throughout the close and far encounters, as far as Pecha could tell.

Pecha walked towards the UFO, stopping at a point about eight feet west by about twenty feet south from the point where he first sighted the object. He told us that he stood directly under the edge of the UFO at this last spot. Pecha and the UFO were then located at geodetic latitude 39° 12'.07 (39°20'12") North, geocentric latitude 39°00'.77 (39°01'28") North, longitude 122° 02'.20 (122°03'67") West, surface elevation about 47 feet.

If one likens the UFO's base to a clock, with 12 o'clock pointing north (N), 3 o'clock pointing east (E), etc., then I would estimate from my on-site interviews with Pecha that he stood under the edge of the UFO at about the 2 o'clock position, and that the east tip of the gable roof of the barn was at about the 5 o'clock position (with the bulk of the UFO towards the west). Our investigation determined that this distance (chord across the UFO's circular base) was about 60 feet. Hence, the UFO was about 85 feet in diameter (about 90 feet wide including the pincher-like protrusions)-or about 75 to 100 feet wide, allowing for probable error. We reached these conclusions during the initial

investigation, but we did not tell Pecha about them until later.

Pecha told us that on the day of the sighting, he had paced-off the dimensions of the UFO and figured that it was about 150 feet in size. After our first visit, Pecha, on his own initiative, measured the length of his pace (32 inches, he said). Then, using his memory of where the UFO had been situated, Pecha remeasured the dimensions of the UFO as carefully as he could. On our follow-up trip, Pecha told us he came up with a better figure of about 90 feet for his UFO. Then we told him about our 75-100-foot estimate, for the first time. Thus, Pecha brought his own calculations into agreement with ours before he even knew we had found a discrepancy (i.e., Pecha's initial 150 feet versus our 75-100 feet). "I guess I wanted it to be big," Pecha remarked in explaining his early estimate.

After about a half-minute to five minutes, the UFO slowly started backing off to the west, Pecha said. At about 75 to 150 feet out, three changes occurred at the same time: (1) the cable-like things were pulled up and they disappeared; (2) the pincher-like things swiveled upward and inward about half-way; and (3) two hatches on the south and north rims swung open (the open flaps pointing to the outer edge of the upper surface) and a "spotlight" lamp came out of each opening. The "spotlights" were held out by cable-like fixtures, Pecha said. The spotlights came on as soon as they popped out. They emitted collimated shafts of "lights" that hit the ground at about a 45-degree (outward) angle.

Pecha walked westward to get a better view of the UFO as it departed. He stopped next to the telephone pole-TV antenna. At this spot, he was about fifteen feet west by two feet south of his previous position. While the UFO moved out to about a distance of 400 to 800 feet towards about azimuth 263½ degrees (west), Pecha started to see more and more of the upper side of the object.

The top of the UFO was shaped like a pointed-helmet on top of an inverted dish. The helmet-like part had three or four (as far as Pecha could see) vertical meridian-like ribbings about eight to twelve inches high, Pecha reported. The surface of the helmet-like section looked like coarsely molded metal: Like "a casting with the slag not cleaned off," Pecha told us. But the inverted dish part, near the rim, had a fine aluminum-metal finish, Pecha said. He told us that the upper part of the UFO was visible from the light of the moon shining through broken clouds. Pecha said he could not see where the helmet-like part joined the plate-like upper side of the UFO because of the aspect angle-he still had the underside of

the object in view at that point.

At about this time, Pecha said he thought about how high the UFO was from the base to the pinnacle. He did not think about the width until much later (after the sighting, in fact) for some reason. He told us on our first visit that it had looked about 15 to 20 feet high (excluding protuberances). (He gave a 10 to 18-foot figure to the **Colusa Sun-Herald** two days after the sighting.) Dr. James Harder and I pointed out that the UFO in his detailed drawing (width to height ratio of 2½) prepared for the local newspaper on 12 September 1976 was too fat if it was 150 feet wide and only 15-20 feet high. Pecha answered that he had done that drawing for detail, not for width-height ratios. I redrew the object for width-height ratio under Pecha's supervision.

I did not find time to measure this new width-height ratio until after the initial visit. The resulting ratio was 5-which was still too fat for Pecha's erroneous 150-foot width figure. But it was consistent with the 75-100-foot width he had determined during the visit (information we withheld from Pecha until the follow-up trip). Our independent figure for the UFO width plus the corrected width-height ratio suggest that Pecha's height figure (estimated during the sighting) was the accurate one, not the 150-foot width estimated after the sighting. Some additional evidence for the logic and consistency of Pecha's story can be found in Pecha's independent redetermination of the UFO's width. When Pecha arrived at the 90-foot value, he was unaware of my measurement of the corrected width-height ratio because I took the drawing with me and measured it on the way home. It might be argued that Pecha remembered the proper ratio and then measured it. But, for some reason, he still did subsequent drawings for detail with the same incorrect 2½ ratio.

Far Encounter Phase

Pecha ran into the house in an excited state. He looked out the west-facing dining room window. He saw the UFO still backing off towards John W. "Slim" Davis' house and airport. Pecha ran down the hallway to get his wife up to see the UFO. He banged against the left wall, his wife, Lenda recalled.

"Get out of bed. You gotta see this!" Pecha screamed at his wife (as she recollected). Mrs. Pecha got up, and went down the hall. Pecha moved into the west-facing bedroom where his son Chris, age 10, was sleeping. Mrs. Pecha went into the dining room.

From his son's bedroom window, Pecha saw two more UFOs. The objects were over the high-tension electrical power lines about a mile away to the west. Each object was between and

(See Colusa - page five)

Colusa

(Continued from page four)

above two towers. The arrangement was: tower-1, UFO, tower-2, open cables (this was where Pecha's close encounter UFO would soon pass over), tower-3 UFO, tower-4.

Each of these far encounter UFOs emitted two light-like beams that hit the tops of the power transmission towers each object was between. The right hand UFO's beams were blue and all four towers were lit up in blue light. The beams were emitted outwards at 30 to 45 degrees below the horizontal. The towers held up six power lines. One or both of the highest two of these lines glowed bright red from the insulators of towers-1 and 2 out to an estimated fifty to one hundred feet on both sides of the towers, Pecha reported. (These were the same towers lit up in blue light by the UFO on the left.) The beams on towers-1 and 2 had "darker" (by this Pecha said he meant brighter, or more intense) blue "jerky" light streams inside them, Pecha said. He said the "jerkiness" was unlike lightning or a zig-zag and it did not seem to have a phase velocity or motion. He could not determine if the beams from the UFO on the right had these "jerky" light-streams or if the power lines near towers-3 and 4 glowed red. The towers and the UFO on the right were more distant than the ones on the left. The left-hand towers were about 4,450 and 5,150 feet away (towers-1 and 2, respectively)-the lines between these towers pointed about 53 degrees off Pecha's line of sight (so he had a good view of them). The right-hand towers were about 6,200 and 7,320 feet away (towers-3 and 4 respectively). But, the lines on these latter towers are pointed only 4½ degrees off Pecha's line of sight-hence they would have been difficult to see. (The lines from towers-1 and 2 run southeast to northwest, but turn almost due west at tower-2.) Both objects appear to have had width/height ratios of about 3 (long axis horizontal). Pecha thought he spotted "spotlight" fixtures on the left hand UFO that were emitting the beams.

Pecha's verbal descriptions and his drawing of the scene fix the locations of the far encounter UFOs at about the mid-points of their respective transmission towers. The UFO on the left was about 4,800 feet away at azimuth 257±3 degrees and altitude of roughly 1.7 degrees (true height about 140 feet). The UFO on the right was about 6,800 feet away at azimuth 264 degrees and altitude of roughly 1.0 degree (true height about 120 feet). The angular size of the UFO on the right can be found from Pecha's drawing because the closeness of the towers provides a good reference frame. I measured the angular separation of the centers of towers-3 and

4 as about twelve milliradians and their respective heights as about sixteen and twelve milliradians. The UFO on the right appears to have been about 4 to 5 milliradians in width. Pecha told me this object was roughly the size of the full moon-which was about 8.6 milliradians in diameter at that time. The 4-5 milliradian figure would make the actual size of the UFO on the right about 27 to 34 feet.

The close encounter UFO, Pecha said, passed between the far encounter UFOs on a straight-line path to the hills in the distance. He said the far encounter UFOs were about equal in size and "a little bit less than half the size" of his close encounter UFO. This is consistent with the 75-100-foot width for the close encounter UFO and the 27-34-foot width for the right-hand far encounter UFO. Pecha was not sure if the larger UFO passed directly between towers-2 and 3, or if it passed somewhat above the towers. A straight-line path from Pecha's house toward azimuth 263 degrees would allow only about 70 feet clearance between the tops of towers-2 and 3. In any event, the larger UFO crossed over the power lines at a height of no less than 100 to 150 feet. Since the UFO had been about 50 feet off the ground near Pecha, this altitude increase along the approximate 5,670-foot distance represents a linear flight path angle of about 0.5 to 1.0 degree above the horizontal.

Pecha said the close encounter UFO picked up speed and reached the mountains in the distance very quickly--on the order of one to ten seconds. He said he could tell approximately where the object was located because he could see where the blue "spotlight" beams lit up the ground and man-made structures--the beams followed the terrain. Pecha thought the UFO was over Three Sisters Peaks (three 1900-foot peaks in the south-north Cortina Ridge) when he left his son's room to join his wife in the dining room. The UFO was probably over another set of three 2000-foot mountain peaks at azimuth 263 degrees which are some four miles north of Three Sisters along the Cortina Ridge. Three Sisters are at azimuth 250 to 251 degrees. Under the circumstances, Pecha probably confused these sets of triple peaks.

On a linear trajectory towards 263 degrees azimuth, the UFO would have had to clear a minimum altitude of about 1850 feet to pass above or between these three unnamed 2000-foot peaks. At a distance of about 87,200 feet (16.5 miles) from Pecha, this represents a linear flight path angle of no less than about 1.06 degrees above the horizontal. (This takes into account the earth's curvature, i.e., a 182-foot drop from the horizontal at a distance of 16.5 miles). This is almost the same as the previously

determined lower limit for the flight path angle. I suggest that this means the UFO followed nearly a three-dimensional straight-line path from Pecha's location out to a distance of 16.5 miles.

Mrs. Pecha reached the dining room window at about the time a UFO approached from the same direction in which the close encounter UFO had departed-263 degrees azimuth. There probably were a few seconds then when the UFOs went unobserved by both Bill and Lenda Pecha. Hence, it would be dangerous to assume that the departing UFO and the approaching UFO were one and the same--an assumption Bill Pecha made. "It was dark 'cause there was no power," Mrs. Pecha told us. "And he (Bill) wasn't behind me, so I hollered at him. And he had gone into my son's room, which is the next room (across) from where he came and woke me up. And he was looking out the window to see if he could still see it (the UFO)."

Mrs. Pecha pulled the white shade and looked outside. She was not sure Bill was with her at that time or a little later. "I saw this big light, which reminded me of an airplane light-like an airplane getting ready to land." She described it as a light-yellow round light with an angular size less than that of the full moon and less than that of an aircraft landing light (roughly two milliradians). If the UFO was at least twenty-five feet in size, then distances of greater than 0.6 mile and 2 miles are indicated, respectively.

"Then, all of a sudden," Mrs. Pecha continued, "there was light coming from underneath it (the UFO) and it was shining (on) the ground underneath it." This vertically-oriented, nearly-tubular cone of "light" was frost white in color, Mrs. Pecha indicated to us. The cone of "light" followed the form of the mountains in the distance, so Mrs. Pecha was able to determine the approximate true location of the UFO. "And then once or twice I saw like an orange glow coming from the ground," where the UFO's beam struck. "So, then, my first reaction is 'Maybe it's a meteor coming out of the sky' which I've never seen--and I don't know what they look like...And I thought, 'maybe this is a meteor coming out of the sky and its particles droppin' off and lightin' the ground up or somethin'.' Well, then, I knew that couldn't be right because this was a constant light--it wasn't just (an) off and on thing."

When Bill Pecha entered the dining room, he screamed at his wife (according to her account), "You don't know what I saw! We have to get out of here! It's gonna get us!" Mrs. Pecha made no move to leave the house as her husband told her to do. For a while, she entertained the notion that her husband had "flipped" because of (hypothetically)

(See Colusa - page six)

Colusa

(Continued from page five)

overwork or exhaustion.

"So, I looked out the window again," Lenda Pecha continued. "And it (the UFO) was starting to come towards us--or I could see it getting bigger." Bill Pecha screamed at his wife again, then looked out the window. By this time, the UFO's beam had apparently retracted from view because: (a) Neither Bill or Lenda Pecha continuously watched the UFO from their dining room window; and (b) Mr. Pecha said he didn't see the beam lowered until later and Mrs. Pecha always saw the UFO with the beam extended to near ground-level after the first lowering of the beam over the Cortina Ridge. Mrs. Pecha said she had trouble seeing the UFO itself because a tree several feet from the window obscured her view. She demonstrated to us how she observed the object: She had to stoop over, crane her head up the shade and look upwards. Neither of the Pechas could give meaningful angular altitudes for the UFO during this phase of the sighting. Neither of them could estimate time durations for this phase because of their agitation and excitement.

Mrs. Pecha works as a computer operator for a Colusa accountant and she has normal vision. We verified her visual acuity with a handmade eye chart in good lighting at a distance of 15 feet. She correctly identified all of the dozens of colors in a plastic, color-filter pack (white paper backing) that I had borrowed from Dr. Richard Haines.

Sometime, probably during the approach of the Pechas' UFO, witnesses nearly two miles away, in southeastern Colusa, caught sight of what must have been the same object. Mrs. Elaine V. McGowen (age 39) is an L.V.N. (licensed vocational nurse) who works for the Colusa County Ambulance Service. She is also a reserve radio dispatcher for the Colusa County Sheriff's Office. Her son, Fred A. Morris, is a senior in high school who turned 17 years of age on 9 September 1976.

"I had gone to bed, oh, around 12:15," Mrs. McGowen recounted. "Soon after I got in bed, the electricity went off--the fan went off in my room. And I got up, went into the living room, and turned the hurricane lamp on. And (then I) walked outside to see if anybody else's lights were out--(or) if it was a fuse in the house..."

Fred was watching the same TV movie that Bill Pecha had been watching when the power went out. The rest of the family was asleep at the time. Fred's digital clock read 12:30 a.m. (according to a note he wrote later that night) when the blackout began at 12:54, indicating the clock was 24 minutes behind. Both Mrs. McGowen and her son thought

their observations of the UFO took place during the last half of the blackout. And they both thought the seven-minute blackout had lasted half an hour--an error that seems to have resulted from the uncalibrated digital clock. Hence, their off-hand time estimates were greatly inflated to accommodate the erroneous half-hour duration of the power outage.

The McGowens walked south-southeast out to their mailbox at the end of the sidewalk leading to the street. Mrs. McGowen saw a light above the silver-dollar tree down the street. She saw it for perhaps a second, but she didn't pay any attention to it because she thought it was an aircraft light. Fred does not remember if he saw the light at that point. Mrs. McGowen walked northwest across her yard to reach First Street "to see if there were any lights up town further." Fred ran ahead of his mother. Their home at 58 Sioc Street is situated at the northeast corner of Sioc and First Streets.

"There was no light I could see anywhere in town," Mrs. McGowen said. "And I walked back over to where I was originally standing, right by my mailbox. And (I) looked up and the light was still there." In Mrs. McGowen's re-enactment of the event, we timed her walk to and from First Street at about three-quarters of a minute. The light was "a lot smaller" than the full moon in angular size and was as bright as 10 automobile headlights (but the size of one) a block away, Mrs. McGowen reported. (The headlight comparison works out to an angular size of about one to two milliradians.) The UFO was brilliant white in color. It was still positioned above the silver-dollar tree, at azimuth 260 ± 3 degrees and angular altitude of 3 to 5 degrees. Note that the Pechas' house was about 9,140 feet (1.73 miles) away at azimuth 262 degrees from where the McGowens stood, and that the Pechas were watching the UFO come straight towards them from about azimuth 262 to 263 degrees (more on this latter figure below). The McGowens did not see the beam that the Pechas' described as emanating from the bottom of the UFO at certain times.

Mrs. McGowen variously estimated that she watched the light hover apparently motionless for anywhere from three to twelve minutes. As I noted above, this is probably a greatly inflated estimate--the true figure remains speculative. Fred suddenly realized that the light was a UFO and he started jumping up and down in the street in front of his mother. The McGowens were located (near the mailbox) at geodetic latitude $39^{\circ}12'.29$ ($39^{\circ}.2048$) North, geocentric latitude $39^{\circ}00'.99$ ($39^{\circ}.0165$) North, longitude $122^{\circ}00'.28$ ($122^{\circ}.0047$) West, surface elevation about 54 feet.

"So I went in to get (my) big brother,

Mark," Fred told us. "So I said, 'Come on outside! Mark, there's a UFO outside! Come on outside and watch it! But he said he was too tired and (he) was going right back to sleep.' Fred ran back out to watch the UFO. He probably lost sight of the UFO for between a quarter and a half minute.

"Then I made a mad dash (back into the house) to get my camera," Fred said. "But I had no film in it. So I went outside and...watched it (the UFO)." This interlude also probably occupied between a quarter and a half minute. So the total time from Mrs. McGowen's first observation to this point was probably no less than about $1\frac{1}{4}$ minutes, including about three-quarters of a minute near the beginning when the UFO went unobserved (during the walk across the yard).

Mrs. McGowen and her son, Fred Morris, both have normal vision, as we verified with the eye chart and the color-filter pack. Fred said a doctor told him he was "blind to brown colors." But he was quite able to identify brown colors when we tested him.

Meanwhile, Bill Pecha watched the UFO's continuing advance from his dining room window. "As he (the UFO) come over Slim Davis's house . . . this light (from the center of the bottom) was lowered. Now this is where I was getting pretty well terrified, because I-I don't see light that goes down and stops so far, and then they can lower it a little (more). As they (the UFO) got over the (Davis') house this light like dropped on, and it was just as bright as a flash-cube light type. It was really a bright, brilliant . . . white light . . ."

(To be continued in the next issue)

* * * * *

Notice

Dr. James Harder, APRO Director of Research will be traveling across the United States beginning in mid-June. He invites letters from individuals who have experienced time loss so that he may contact them during the course of his trip. Early responses are requested so that he may plan his itinerary. Address letters to Dr. J. A. Harder, 2808 Hilgard St. Berkeley CA 94709.

Tucson

(Continued from page two)

miles due north of Tucson International Airport Tower, on a course line coming from downtown Tucson and proceeding southeast directly between the two large airports, the towers of which are within sight of each other.

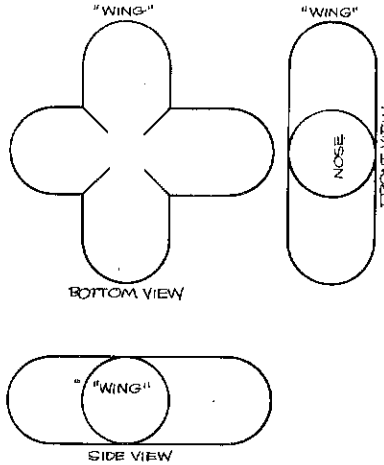
Neither Tower registered, recorded, reported nor received reports of anything unusual in the area that night at the times in question. The RAPCON (Radar Approach Control) office said that they did not paint anything unusual on radar that night at those times.

If this is truly the case, then who is operating all the helicopters with red lights and the unidentified capsule-shaped craft with the 4 foot pilot in Tucson's airspace?

At 19:30 on Washington's Birthday, Monday, 21 February 1977, in the evening, Ms. Dorothy Sanders and her friend Ms. Trudy Clayton, were in Ms. Clayton's car in the vicinity of Cherry Avenue and 13th streets in Tucson, just northwest of Tucson High School, when they noticed what looked like a silver airplane to them, toward the east and moving southwest. Only this airplane didn't behave like an airplane. Its motion was jerky and flitting, without smooth curves as it changed direction, and it moved all about in the immediate vicinity. The sky was dark and the stars were out, no moon, yet this silver shape was easily visible in the dark sky. It had no lights of any kind, no breaks in contour or ports or windows. No mating lines or markings of any kind were observed. The silver was likened to the silver paper color of some silver book dust covers, or like brushed silver.

The shape was more "cross" shaped, like two cylinders crossed slightly ahead of center. The "wings" were equally as large and cylindrical with rounded ends just like the "fuselage", and they seemed to be of the same diameter, and rounded off similar to the nose of the craft. Ms. Sanders felt that the aft part of the "fuselage might have been slightly smaller in diameter than the front and 'wings'". The object turned all directions but retained this cross shape throughout this part of the sighting. There was no tail or aft structure of any kind. The "fuselage" just rounded bluntly off.

When first seen it was high, about the height of an airplane flying over the city, then it came down lower, to a little over twice the height of the telephone wires along the side of the road and flew along one side of them and then came back along the other side of them. At this point the object was estimated to be about the size of a small airplane. Ms. Sanders shut off the car engine and rolled the window down and leaned out,



Object in February 21 Case

at which time she noticed a low whining sound, very low, like nothing she has ever heard before. It flew so low over the wires that Ms. Sanders thought it might hit them, but it didn't. At that time she also heard a double "click", only once.

Then Ms. Sanders started the car and they drove over to South Park and 31st Street for about 15 minutes, and then they drove back to Cherry and 13th Street again and they saw the strange object once more. It flew over them a couple of times again as they watched. This time it flew right over the wires, so low at one point that they thought it would hit the wires. Again they compared the size to a small airplane. They watched it 2 or 3 minutes again as it maneuvered around the area. It did not manifest any particular interest in the car or the wires, or anything else for that matter. It just flew all about the area. Then they decided to go on home and forgot all about the object.

They arrived at Ms. Sanders house at 733 East Lester Street about 15 minutes later, at 20:30 and were astounded to see the same, or an identical object flying around above the Sanders home but quite a bit higher than before. They pulled into the driveway and shut off the engine but couldn't hear any sound at all this time. They got out of the car and watched the object as it circled above. Ms. Sanders called out her niece and her nephew and her grandchildren and they all came out into the yard. They all stood and watched as it flitted and bounced around in the sky. The motion was described as something like the light you see when someone is walking with a flashlight, kind of advance and slow down and advance and slow down. After a few moments they all gave up and went inside except Ms. Sanders niece, Carolyn Howard, who remained out in the drive and watched. The object was still quite high at that time, and still appeared cross-shaped.

Carolyn Howard, Ms. Sander's niece, who was in her room studying said she was first distracted by the sound of fire sirens, and was going to the door to look when the sirens stopped and she saw her aunt and a cousin, David Howard, in the yard with Ms. Clayton, and they were looking up, over the house and to the north. She went out too, and looking up saw a strange little silver airplane-like object flying around in a kind of jerky motion. She described it as sort of cross-shaped, brushed-silver-colored, and very plainly visible in the moonless dark night sky. She insisted, however, that it was not luminous or fluorescent, just very plainly flat silver colored. This characteristic puzzled her some because she had never seen anything quite like it before.

She watched it circle the house twice after the others went in, thinking it was so pretty, the way it stood out sharply in the sky, and kept looking at it. Suddenly, she saw it begin to descend directly over the house. It came down at a very steep angle, but it didn't dive as much as it seemed to "float" down rapidly right at the house. It was now shaped like a torpedo, or a large capsule, and DID NOT HAVE THE "WINGS". It came down fast and got much bigger as it came down, seeming at the last moment to be larger than the cabin (actually meaning nose) of a Boeing 747 Jet she had once seen. She stepped back thinking to avoid it but wondering how, since it seemed so large that she was sure it would crash and wipe out her block and the one behind and the next one over. In a demonstration of its apparent size, to her, at this point, she held her arms out wide, big enough to put a washtub between them. Instead of crashing, the nose came up and it curved out at the bottom of the maneuver and climbed back up to its circling altitude. Her sketch of the "torpedo shape" as it went by was in the same proportions but larger as the cylinder shape of the fuselage when it was flying above with the other cylinder-like "wings". As it resumed circling again she noticed that the "wings" were back on it again.

In appearance it was a brushed silver in color and had no marking, seams, windows, or ports, or anything to break the surface finish. She tried to scream but couldn't make a sound. Then it suddenly stopped its descent and in the same motion curved back up and around to its previous position and resumed flitting around in the sky above. She then went inside.

Please send
address changes

Congress

(Continued from page one)

Interested laymen and UFO buffs from around the world have been invited to attend the congress, according to Fuller. Among UFO mysteries they will seek to solve, debunk or develop additional information on are such subjects as—The CIA - FBI cover-up, the parapsychical hypothesis for UFO's; the "Men in Black," UFO contactees - abductions - the hard evidence for UFO's; UFO propulsion systems, ground traces and photographs, the case for and against humanoids, the most convincing UFO sightings; UFOs in history; UFOs and the Ancient Astronauts plus support for UFOs from other disciplines.

Cost for the three-day Congress will be \$30 on day of registration, \$25 if advance reservations are sent to International UFO Congress Ltd., 500 Hyacinth Place, Highland Park, IL 60035. For additional information contact Congress offices or phone Dr. J. Gordon Melton, A/C 312-446-6265, 540 Frontage Rd., Northfield, IL 60093.

* * * * *

The Ball-Of-Light Phenomenon

By John DeHerrera

A.P.R.O. Field Investigator

During World War II, Allied fliers on bombing missions over Germany often reported strange balls-of-light flying alongside their airplanes. The fliers named them "Foo Fighters" after a comic-strip word of the time. A "Foo" would suddenly appear, stay with the airplane for an hour or so, then vanish! No one could ever explain what these "Foo Fighters" were.

Even before World War II, in 1906, Nobel Prize winner Charles Richet reported that a ball flashing white light and floating above the ground had appeared to him.

The ball-of-light reportedly varies in size from approximately four inches to twelve inches in diameter. It is either an intense bluish-white or orange color.

"Almost too bright to look at," is a common description. Sounds that vary from beeps to a roaring sound similar to that of a jet-engine have been heard.

At approximately age five or six, I became aware of a strange encounter with several balls-of-light. This encounter occurred over forty-seven years ago. The person who encountered these balls-of-light was a great uncle of mine. This man described how he was returning to his ranch late one night. The ranch was located in the mountain

region of Gardner, Colorado. He stopped to open the gate at the entrance of his property. The engine on the car was left running and the headlights were on. After opening the gate he was returning to his automobile when the headlights went out and the engine stopped running. Then he heard a buzzing noise overhead. Looking up he saw several balls-of-light suspended in the air above him! Frightened, he jumped in the car and tried to start the engine. It wouldn't start! Then he claims, he reached for a revolver he carried in the car and tried to fire at these lights, but the revolver would not discharge!

The story about the encounter with these lights caused quite a stir in the surrounding area. The older folks were convinced that he had encountered witches! When I heard this story, I was fascinated by it. Yet as I grew older I could never accept the theory that he had encountered witches. I have spent years collecting and evaluating ball-of-light cases. More recently I have investigated five such cases myself. All the people I talk to describe a small round ball-of-light that acts like it is controlled by some intelligent source.

The most incredible ball-of-light encounter I have investigated is the Brian Scott case. In October of 1975 a man named Brian Scott of Garden Grove, California, was hypnotized and questioned by a physician. Brian Scott was taken to this physician by a college professor who is very active in UFO investigations. Brian had told the professor that he had seen a UFO out in the Arizona desert in 1971. Brian indicated that he thought there was more involved to his sighting that he could consciously recall. It was decided that he should be hypnotized and regressed to 1971 to search for more information.

Soon after he was hypnotized, Brian began talking about UFO's and alien beings. Eventually, he gave an incredible and detailed account of the inside of a UFO, the aliens aboard and what these aliens supposedly told him.

While the hypnosis sessions were still taking place a new twist to the mystery was about to take place. Brian called the professor one evening and told him that he and members of his family and a friend had seen a strange ball-of-light in the back yard of his home. Later on it was reported by members of the family that this light would enter the house. When this light was in the house Brian would go into a trance and talk to the light! "What do you want me to do?" Brian would say. Brian could never remember what had occurred while he was under the trance. This light was seen at distances ranging from approximately thirty to about ten feet. There were seven adults who saw this light. Two of these witnesses were complete

strangers to the Scott family.

What is this strange ball-of-light? Can we be sure it's associated with UFO phenomenon? In Warminster, England, there were reports of strange lights. Coinciding with the sightings of balls-of-light there were also UFO sightings. Timothy Green Beckley investigated a ball-of-light case and there also UFO's were seen. Beckley is a publisher of UFO REPORT magazine. I found two ball-of-light cases in the book INVISIBLE COLLEGE by Dr. Jacques Vallee.

I believe that this particular phenomenon is worth studying. It is amazing how many people have seen this phenomenon. At this time I would like to make an appeal to anyone who has seen or knows anyone who has seen the phenomenon to supply me this information. Any of the information I have is available to anyone who requests it.

* * * * *

Object Observed by the R.C.M.P.

by Glenn R. Duiven

At approximately 9:40 P.M. on the night of the 8th of October, 1976, an aerial phenomena was sighted at the 103, approximately 3 miles north of 100 Mile House, B.C., Canada by a member of the local detachment of the Royal Canadian Mounted Police (R.C.M.P.) and another passenger in the police cruiser.

It approached from the northwest at a high rate of speed. It was described as having red and blue lights, two on each side apparently 12 feet apart. The actual size of the craft could not be determined as it was a very dark night, although the sky was clear and there was a wind, and the lights could not be seen in any relative position on the craft.

The vehicle hovered over the pub and store located at the "103" for approximately 1 1/2 minutes. The vehicle then disappeared to the northeast at a very high rate of speed. No noise was detected during the sighting. The constable said that he was driving along Highway 97 and noticed the UFO and stopped to watch it. The craft was thought to be about 1/2 a mile in altitude and about 1/4 of a mile away at its closest position to him. This was when it was hovering over the pub and store.

Please note that there are no search lights or anything like that in the area, which in some cases, may cause skip or bounce from clouds. Also there were no visible cloud formations that night anyway! The constable believed the craft moved too quickly to be a man-made vehicle capable of hovering. Both witnesses wish to remain anonymous.